



by Schneider Electric

Easy PDU Metered Rack Power Distribution Unit

Overview

EPDU1216M, EPDU1232M

The APC by Schneider Electric Easy PDU, 3 Phase Metered Rack Power Distribution Unit may be used as a stand-alone, network-manageable power distribution device. The Easy PDU provides real-time remote monitoring of connected loads. User-defined alarms warn of potential circuit overloads. You can manage your Easy PDU through its Web User Interface (Web UI), or Simple Network Management Protocol (SNMP).

Display Interface.

The liquid crystal display (LCD) and function button allow you to monitor phase voltage, current, and power factors of attached devices. Remote communication can be established through the network port. Environment is monitored through the temperature and humidity (T/H) port.

Outlets.

EPDU1216M: L1 - Seven (7) C13 outlets and One (1) C19

L2 - Seven (7) C13 outlets and One (1) C19

L3 - Seven (7) C13 outlets and One (1) C19

EPDU1232M: L1, Bank 1: Three (3) C13 outlets and one (1) C19 outlets

L1, Bank 2: Three (3) C13 outlets and one (1) C19 outlets

L2, Bank 3: Three (3) C13 outlets and one (1) C19 outlets

L2, Bank 4: Three (3) C13 outlets and one (1) C19 outlets

L3, Bank 5: Three (3) C13 outlets and one (1) C19 outlets

L3, Bank 6: Three (3) C13 outlets and one (1) C19 outlets

Power cord.

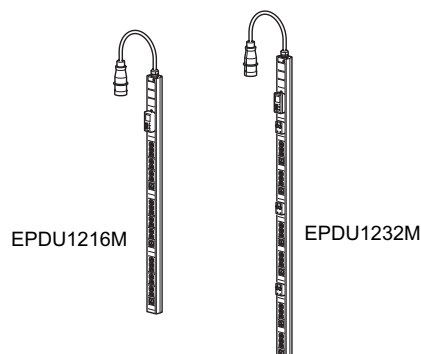
EPDU1216M: The power cord is 2 m (6 ft) in length.

EPDU1232M: The power cord is 2 m (6 ft) in length.

Mounting.

Brackets: The Rack PDUs can be mounted to a rack using the two (2) brackets and mounting hardware provided.

Toolless Mounting: Two (2) mounting pegs are installed on the back sides of the Rack PDUs for 0U mounting capability in a rack or enclosure.



Specifications

	EPDU1216M	EPDU1232M
Electrical		
Nominal Input Voltage	200/346V - 240/415V	
Maximum Input Current (Phase)	16A	32A
Input Frequency	50/60Hz	
Input Connection	IEC309 16A	IEC309 32A
Output Voltage	200 - 240 VAC	
Output Connections	L1: Seven (7) C13, One (1) C19 L2: Seven (7) C13, One (1) C19 L3: Seven (7) C13, One (1) C19	L1 Bank 1: Three (3) C13 One (1) C19 L1 Bank 2: Three (3) C13 One (1) C19 L2 Bank 3: Three (3) C13 One (1) C19 L2 Bank 4: Three (3) C13 One (1) C19 L3 Bank 5: Three (3) C13 One (1) C19 L3 Bank 6: Three (3) C13 One (1) C19
Circuit Breakers	None	Six (6) 16A 1-pole hydraulic-magnetic circuit breakers
Physical		
Dimensions (H x W x D)	1175 x 62 x 44.4 mm (46.25 x 2.44 x 1.74 in)	1506 x 62 x 44.4 mm (59.29 x 2.44 x 1.74 in)
Input power cord length	2 m (6 ft)	2 m (6 ft)
Shipping dimensions (H x W x D)	1320 x 160 x 110 mm (52.0 x 6.30 x 4.33 in)	1660 x 160 x 110 mm (65.35 x 6.30 x 4.33 in)
Weight/Shipping weight	2.74 kg (6.04 lb)/ 3.26 kg (7.18 lb)	4.64 kg (10.23 lb)/ 5.48 kg (12.08 lb)
Environmental		
Maximum elevation (above MSL) Operating/Storage	0–3000 m (0–10,000 ft) / 0–15000 m (0–50,000 ft)	
Temperature: Operating/Storage	–5 to 45°C (23 to 113°F)/ –25 to 65°C (–13 to 149°F)	
Humidity: Operating/Storage	5–95% RH, non-condensing	
Compliance		
EMC verification	CE EN55035, EN55032, EN55024	
Safety verification	CE, TUV, EAC, UKCA, EN/IEC62368-1	
CE EU Contact Address	Schneider Electric, 35 rue Joseph Monier 92500 Rueil Malmaison, France	
Environmental	RoHS & Reach	

Customer support and warranty information are available on the APC by Schneider Electric website, www.apc.com.

© 2021 APC by Schneider Electric. APC and the APC logo are owned by Schneider Electric S.E. All other trademarks are property of their respective owners.

990-6313A
11/2021